

IntellaFlex

Optical Bypass TAP

Optical Network Bypass TAP
with Advanced Network Monitoring



Features

- 5 optical bypass 1G/10G switches
- Fail-safe passive tap in bypass mode
- Support for up to 7 inline appliances
- Load balancing supports redundancy
- Heartbeat monitoring of appliance
- Up to 14 monitoring tool ports
- Monitor, aggregate, and filter traffic
- TitanXR central management and APCON Mobile App

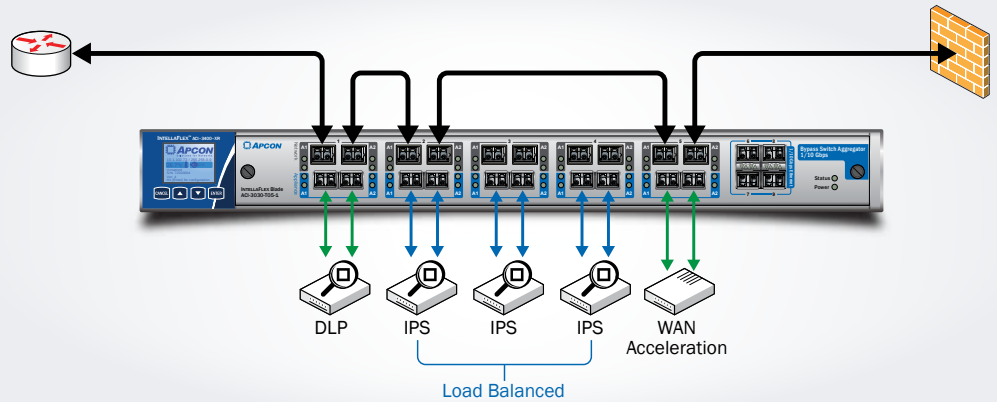
Fail-safe Inline Network Security

The IntellaFlex Optical Bypass Switch provides five fail-safe 1G/10G optical bypass taps for inline security tools as well as support for load balancing, tool redundancy and advanced network monitoring.

Protecting today's network requires advanced security systems such as Intrusion Prevention (IPS) or Data Loss Prevention (DLP), however the complexity and maintenance of these systems can lower network availability. The IntellaFlex Optical Bypass TAP maintains high network availability including intelligent heartbeat by providing optical bypass when inline systems crash, degrade in performance, require security updates or need maintenance.

The five network bypass taps can connect up to seven inline tools including load balance and support for tool redundancy. For example, a network could load balance traffic across three IPS security tools, and if one system is down, the Optical Bypass TAP will automatically redistribute traffic across the remaining two systems providing IPS tool redundancy.

The Optical Bypass TAP provides advanced IntellaFlex network monitoring to select and groom traffic of interest to external monitoring tools, using any of the available 14 ports of optical 1G/10G Ethernet. Systems can be installed as “monitor only” initially, then switched inline when ready, making it easy to insert or remove inline security tools.



Network Visibility Family

IntellaFlex Optical Bypass TAP is part of APCON's premier IntellaFlex XR network monitoring family, and is compatible with all systems from 1RU thru 14RU. Enhance multi-site management with TitanXR centralized management and the APCON Mobile App for iOS and Android devices.



Bypass Switch Specifications

Network Ports	5 pair × 1G/10G optical bypass taps Bypass mode: passive optical tap Through mode: inline appliance Optical ports: Multimode or Single-mode
Appliance Ports	14 × 1/10G Ethernet (SFP/SFP+) Enable up to 7 inline appliances Enable up to 14 monitor ports
SFP/SFP+	1000BASE-T/SX/LX, 10GBASE-SR/LR
Heartbeat	Monitors appliance health Bypass when Heartbeat fails Select interval 100 ms to 5 sec Select missed Heartbeat packet threshold
Management	Easy-to-use WebXR GUI plus CLI 2 LAN management ports (back) 1 CLI management port (back) HTTPS and SSH for secure access TACACS+, Radius and LDAP authentication
IntellaFlex Features (appliance ports only)	Aggregation, Filtering, Load Balancing, Trunking, Any-to-Any and Multicast Connections, Multi Stage Filtering, and Port Tagging
Power	170–200 Watts/580–682 BTU (no SFP/with SFP)
Power Supply	AC: 100 to 240 VAC auto-sensing 50–60 Hz DC: -48 VDC (-40 to -72 VDC) Optional redundant and hot swappable

Weight	21 lb / 9.5 kg
Size (H×W×D)	1.75 × 17.2 × 25.0 in (4.5 × 43.7 × 63.5 cm) 1RU
Operating Temp	32 to 113 °F (0 to 45 °C)
Storage Temp	-40 to 158 °F (-40 to 70 °C)
Relative Humidity	Operating: 10–85%; Storage: 0–95% noncondensing
Safety	UL 60950, EN 60950, CSA C22.2 60950
EMC	EN 55022, EN61000, FCC part 15, ICES 003
Compliance	CE mark and ROHS compliant

Ordering / Part Number

ACI-3030-T05-M1	IntellaFlex Optical Bypass TAP, Multimode Ports
ACI-3030-T05-S1	IntellaFlex Optical Bypass TAP, Single-mode Ports
ACI-3036-XR-AC	IntellaFlex 1RU Chassis, AC Power Supply (1)
ACI-3036-XR-DC	IntellaFlex 1RU Chassis, DC Power Supply (1)
ACI-3100-AC	Optional redundant AC Power supply
ACI-3100-DC	Optional redundant DC Power supply

The IntellaFlex Optical Bypass TAP is compatible with all IntellaFlex XR chassis, see the IntellaFlex XR series for a complete list of chassis, blades and management software.